



**Flo Pump Assembly**  
(for PACE ThermoFlo power sources)  
**P/N 1336-0035-P1**  
**Installation Instructions**  
**Manual Number 5050-0433**  
**Rev. A**

---

For any questions regarding these instructions, contact the PACE Service Department directly at:

Telephone (888) 535-PACE, Fax (301) 483-7030

**PACE Incorporated**  
**9893 Brewers Court**  
**Laurel MD 20723-1990**

To replace the Flo Pump Assembly, perform the following procedure step by step, in sequence using the accompanying illustrations as a guide.

### CAUTION

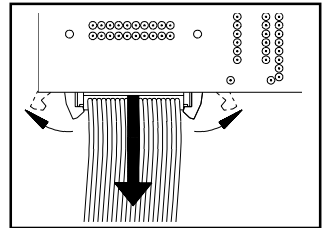
**POTENTIAL SHOCK HAZARD** - Disassembly of the ThermoFlo power source exposes line voltage parts. Replacement of the Flo Pump Assembly must be performed by qualified service personnel only. Service personnel must insure that the AC power cord is disconnected prior to disassembly. Contact the PACE Service Department for assistance at tel. 1-888-535-PACE, FAX 1-301-483-7030.

1. Place the unit on a suitable work surface with the front of the power source facing forward.
2. Disconnect the AC power cable from the unit (if present).

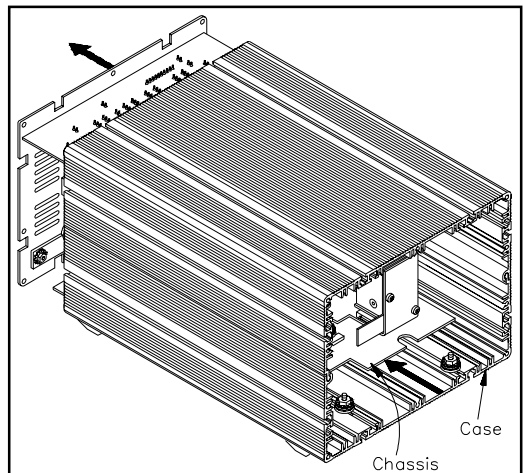
### NOTE

Use all ESD control precautions when servicing the PACE ThermoFlo system. The power source contains assemblies utilizing static sensitive components.

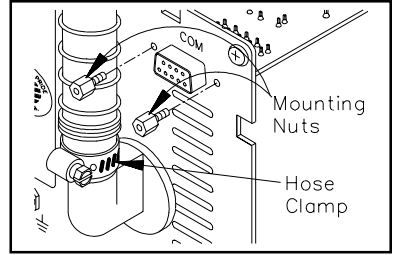
3. Remove the 10 Front Panel mounting screws.
4. Pull the Front Panel forward.
5. Disconnect the ribbon cable from the Front Panel by pulling the 2 plastic locking tabs away from the ribbon cable (see illustration) then pulling the ribbon cable out of the Front Panel connector. Set the Front Panel aside.



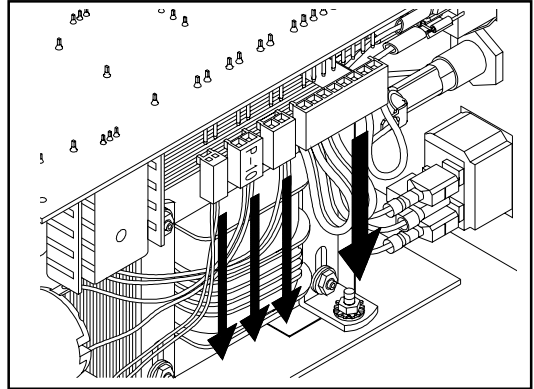
6. Reposition the unit with the rear of the power source facing forward.
7. Remove the 8 Rear Panel mounting screws.
8. Gently pull the Rear Panel away from the power source. Attached to the Rear Panel are the main PCB and the Inner Chassis. Pull these parts completely out of the power source case. Set the power source Case aside.



9. The COM Port is located on the upper right portion of the Rear Panel. Remove the two (2) Mounting Nuts located on either side of the COM Port.



10. Position the Chassis as shown with the Flo Pump Assembly facing forward.

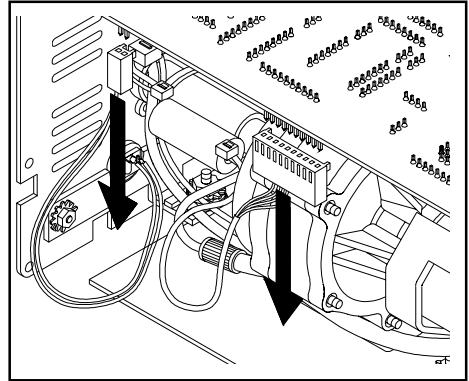


11. Disconnect the four (4) connectors shown from the Main PCB. Make note of the location of each connector (the Flo Pump harness plug should be marked "P10").

12. Disconnect two (2) connectors shown from the Main PCB.

**CAUTION**

The larger of these two connectors has very fine wires attached. Handle this connector with care to prevent any damage to these wires.

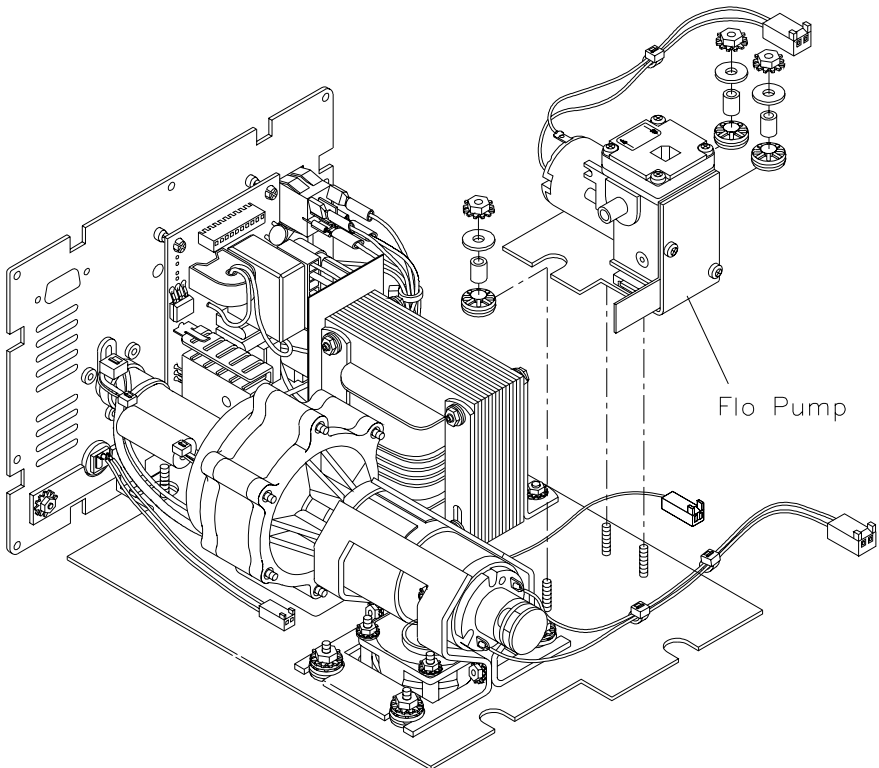


13. Pull the Main PCB forward to release pins on PCB plug from the connector on the HV Board. Set Main PCB aside.

14. Remove the three (3) Hex Nuts and Washers from the Flo Pump Assembly.
15. Make a note of the location of the Vacuum Hose attached to the Flo Pump Assembly. Remove the Vacuum Hose by gently pulling and twisting the hose.
16. Pull the Flo Pump Assembly up and off of its three (3) mounting studs.
17. There are three (3) Blue grommets (with metal sleeves) on the Flo Pump Assembly mounting bracket. Remove each of the grommets and install in position on the replacement Flo Pump Assembly. Set the old Flo Pump Assembly aside.
18. Push the Flo Pump Assembly down, sliding the three (3) Blue grommets (with metal sleeves) over the three (3) mounting studs on the Chassis plate.

**NOTE**

Insure that wires are not trapped under the Flo Pump Assembly mounting bracket.



19. Install the Vacuum Hose removed in step 15 onto the Flo Pump Assembly mounting bracket.

**NOTE**

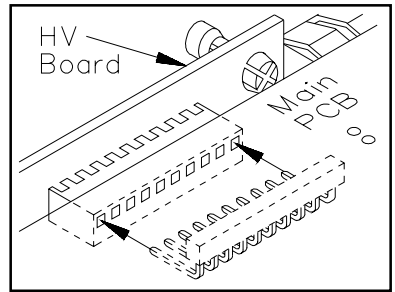
Insure that the small Vacuum Air Hose is installed in the proper location (at port marked with arrow pointed in) on the Flo Pump.

20. The Vacuum Air Hose is routed between the Flo Pump Assembly and the Rear Panel. Check to insure that there are no kinks in this length of hose or in the smaller air hose it connects to near the Rear Panel..
21. Secure the Flo Pump Assembly in position by installing the three (3) Hex Nuts and Washers removed in step 14.

22. Position the Main PCB as shown over the Chassis and with the ribbon cable facing forward.

23. Align the COM Port receptacle at the rear of the Main PCB with its rear panel cutout

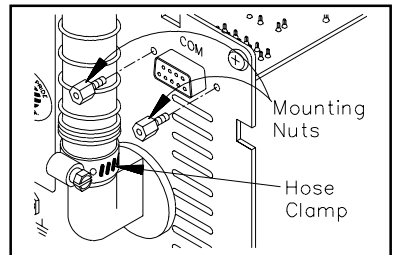
24. There is a ten (10) pin plug mounted at the rear of the Main PCB. Carefully insert these pins into the matching 10 pin connector on the HV Board.



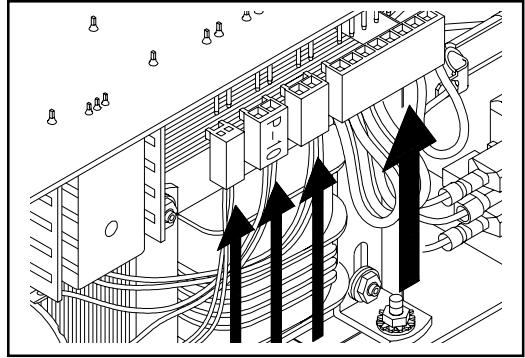
**NOTE**

Insure that the plug pins are lined up correctly with the connector receptacle. The system will not operate if this connection is incorrect.

25. Install the two (2) Mounting Nuts removed in step 9 on either side of the COM Port.



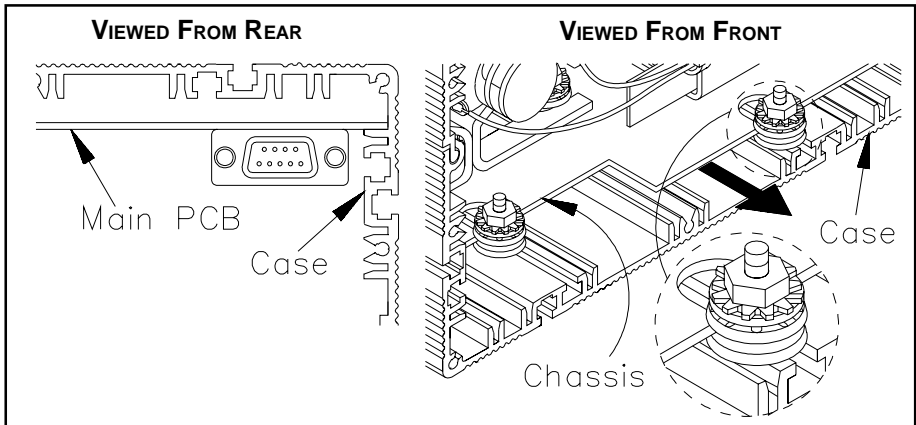
26. Install the 6 connectors removed in steps 11 & 12. Insure that each connector is pushed fully onto its PCB connection. Insure that the connector marked "P10" is plugged into the proper location. Refer to illustration



27. Slide the Chassis into the rear of the Case with the Main PCB entering the Case as shown in the illustration below. Located at the front, inside of the Case are two (2) mounting studs with Blue grommets. The two (2) slots at the front of the chassis plate must slide into the slots in the two (2) Blue grommets.

#### NOTE

Wire harnesses are located along the edges of the Chassis. Insure that these wires do not get caught or pinched against the edges of the Case or the rear panel as the Chassis slides in.



28. Install the 8 Rear Panel mounting screws removed in step 7.
29. Position the power source facing forward.
30. Connect the ribbon cable (removed in step 5) to the Front Panel Connector; the two (2) plastic locking tabs will automatically lock the cable in position when it is fully seated in the connector.
31. Install the 10 Front Panel mounting screws removed in step 3.

---

PACE Incorporated retains the right to make changes to specifications contained herein at any time, without notice.

Contact your local authorized PACE Distributor or PACE Incorporated to obtain the latest specifications.

The following are registered trademarks and/or servicemarks of PACE Incorporated, Laurel Maryland U.S.A. and may only be used to identify genuine PACE products or services:

AdapTip, Arm-Evac, Cir-Kit, ComForm I, ConducTweez, CRAFT, Dual Path, Flo-D-Sodr, FuseSet, HandiPik, HotSpot, LapFlo, MBT, Micro Portable, MicroChine, MiniChine, Mini-Wave, PACE, Pacenter, Ped-A-Vac, PETS, Pik-Vac, PRC, Prep-Set, Pro-Evac, Redi-Rak, ResisTweez, SensaTemp, Snap-Vac, Sodr-Pen, Sodr-X-Tractor, SR-3, SR-4, ST, StripTweez, SwaPlater, ThermoBond, Thermo-Drive, ThermoJet, ThermoPart, ThermoPik, ThermoTweez, Tip-Evac, Ventur-Evac VisiFilter.

The following are trademarks and/or servicemarks of PACE Incorporated, Laurel Maryland U.S.A. and may only be used to identify genuine PACE products or services:

Heat Wave, Pik-Tip, Pulse Plate, Sodrtek, ThermoFlo, Toolnet.



Since 1958, PACE Incorporated has provided advanced technology training in all aspects of hand soldering, rework and repair.

Additional copies of this manual or other PACE literature may be obtained from:

PACE Incorporated  
Sales Administration  
9893 Brewers Court  
Laurel MD 20723-1990

(301) 490 - 9860  
(301) 498 - 3252 Fax